

Dress Up – Vicky Violet

Step-by-Step Craft Ideas

Easy ★★☆☆☆ Tricky

Letterland

What you'll need:

- 3D V templates
- Vicky Violet leaves template
- Purple, white and green card
- Green pipe cleaners
- Transparent plastic sheet
- Yellow paint
- Paint brushes
- Black pen
- Glue
- Tape

Recommended props (optional):

- Purple t-shirt and trousers



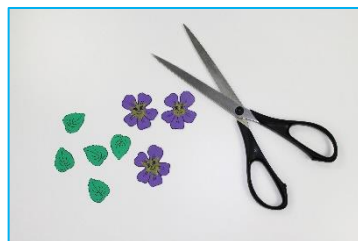
1. Print out 3D 'V' template on Purple card. Cut along solid outlines and score the dotted lines. Save Vicky Violet heads for later.



2. Fold all tabs inwards and glue together. Then cut out plastic sheets in v-shape and stick onto the inside of the hollow letter to create water inside vase.



3. Use yellow paint to decorate the violet heads. Leave to dry.



4. Cut out violets. Print leaves on green card and cut out.

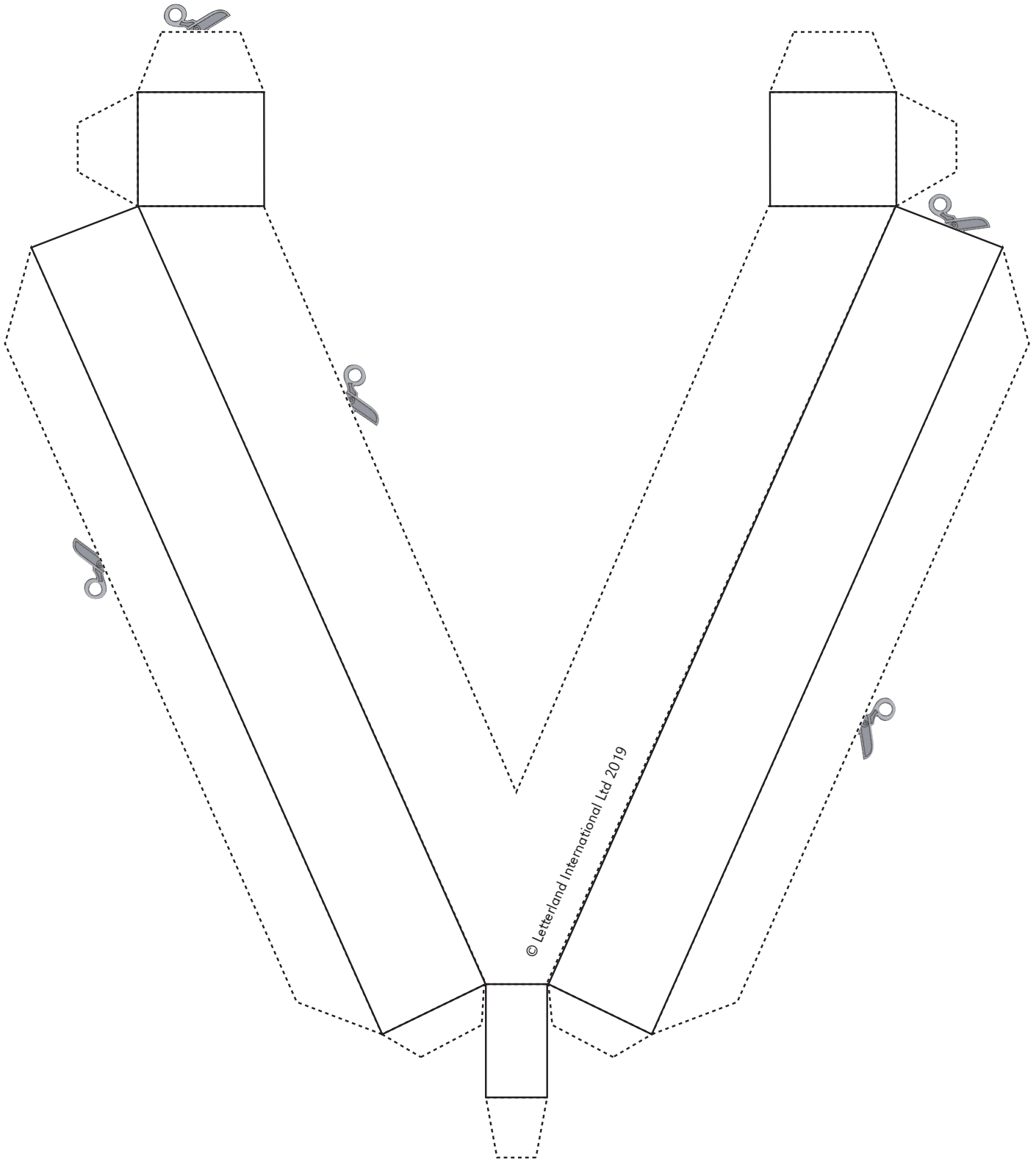


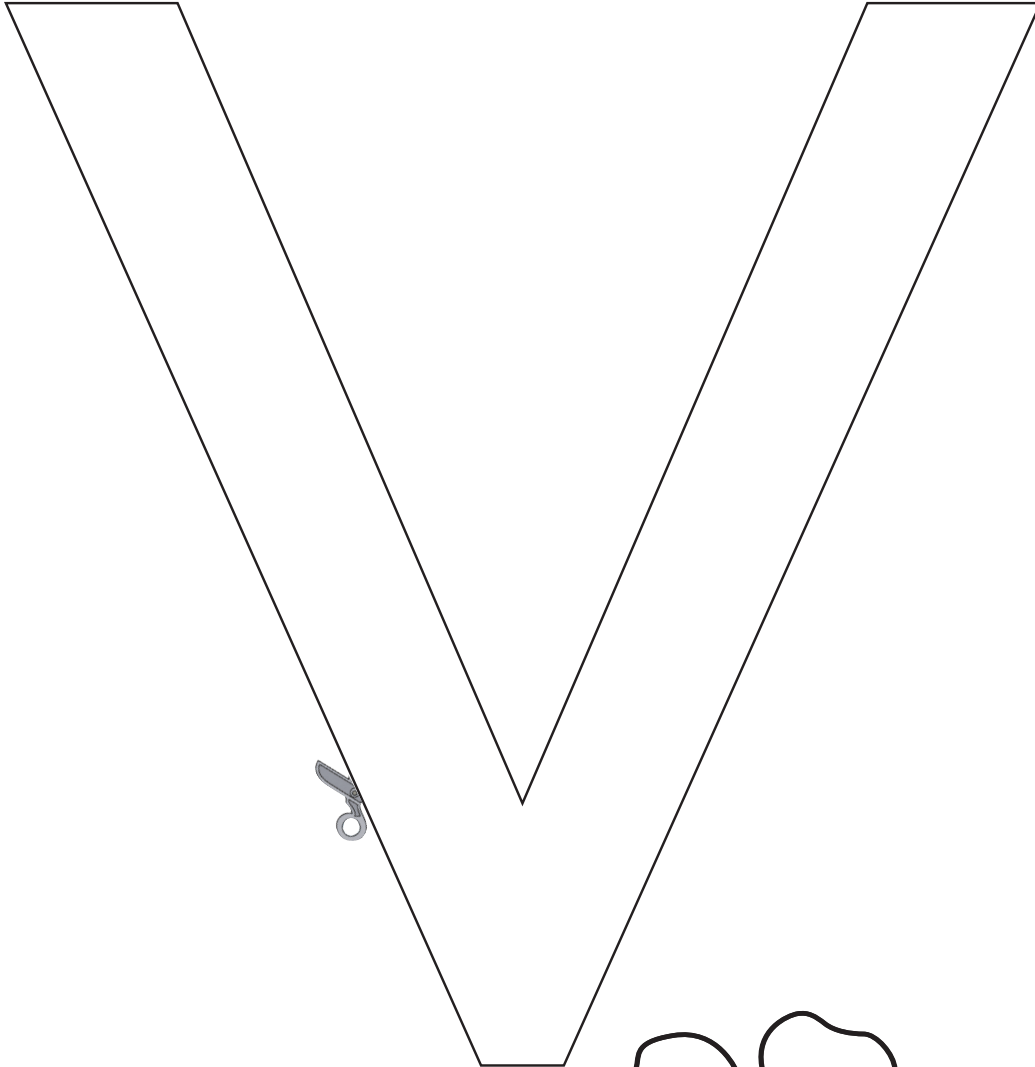
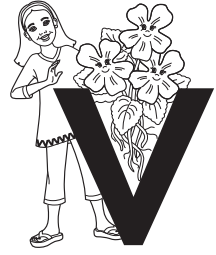
5. Take 6 green pipe cleaners and twist into pairs to create 3 flowers stalks. Glue leaves and flowers onto the stalks.

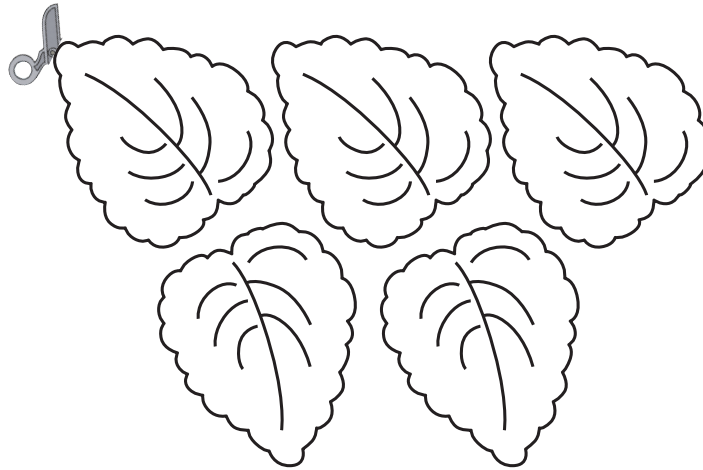


6. Tape the flower stalks inside the v-shape. Attach vase to a t-shirt or attach ribbon to wear around neck!

Complete costume with letter shape template.







Complete your costume by printing out this plain letter shape template, paint the letter purple, then cut it out and fix it to your top.

